

# SPX1040

**max** 4000 kg

**max** 5390 x 1450 x 2040 mm

**max** 23.8 m  
with flying JIB

**max** 14.5 m  
with JIB3500G

The crane that made us famous worldwide.  
A guarantee of success and performance for a mini crane that made Jekko's history.



## Technical Information

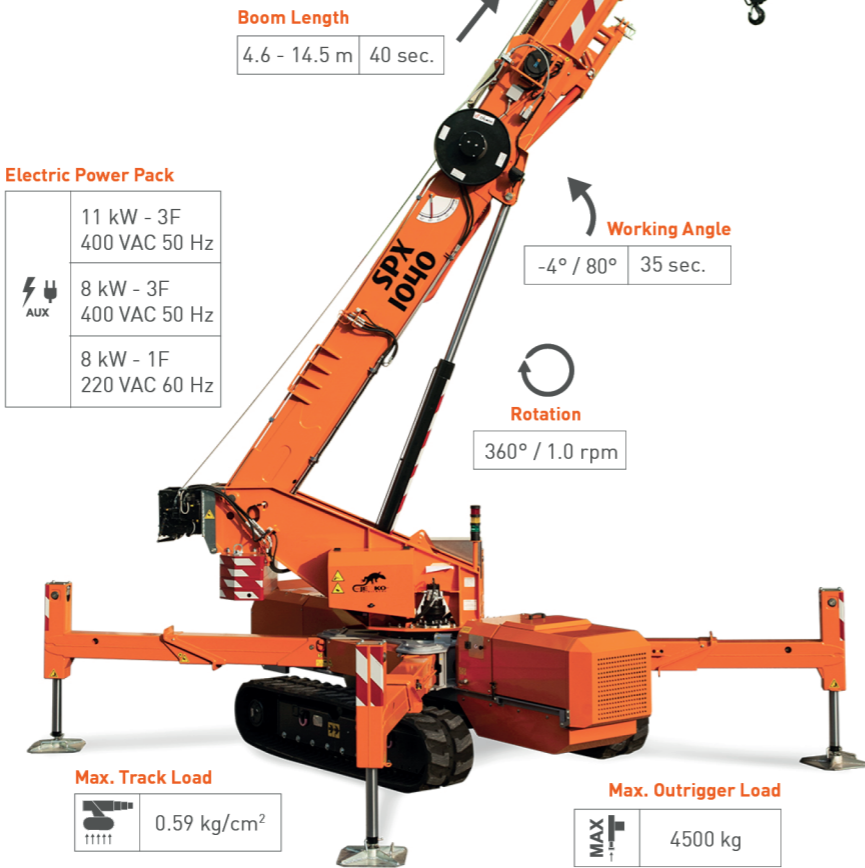
Dimension	<b>L x W x H</b>	5390 x 1450 x 2040 mm 5390 x 2050 x 2040 mm (EXT TRACKS)
Stab. Area		4200 x 4200 mm

		Kg
Crane & Options Weights		SPX1040CDH-1 5600 SPX1040CDH-2 6300
		/ 760
		4T-D8 40
		PP400-8D 120 PP220-8D
		PP400-11D.V 140
		JIB3500G 70 JIB600.2H 220 JIB1000.FL 270 MR800.4 200 JIB300GR 250

SPX1040CDH-1		SPX1040CDH-2	
Diesel Engine	KUBOTA D1105-E3B	18.5 kW 25.0 Hp	
Diesel Engine	KUBOTA V1505-E3B	26.2 kW 35.0 Hp	

Speed		2.0 km/h
Gradability		25°
Ext. Tracks		1450-2050 mm

SPX1040CDH-1: no ext tracks  
SPX1040CDH-2: ext tracks included

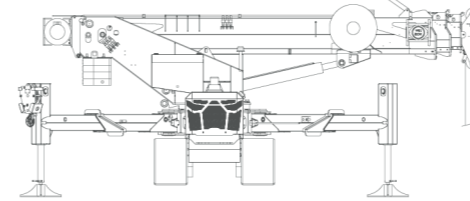


### Electric Power Pack

	11 kW - 3F 400 VAC 50 Hz
	8 kW - 3F 400 VAC 50 Hz
	8 kW - 1F 220 VAC 60 Hz

## Winch & Fall Stages

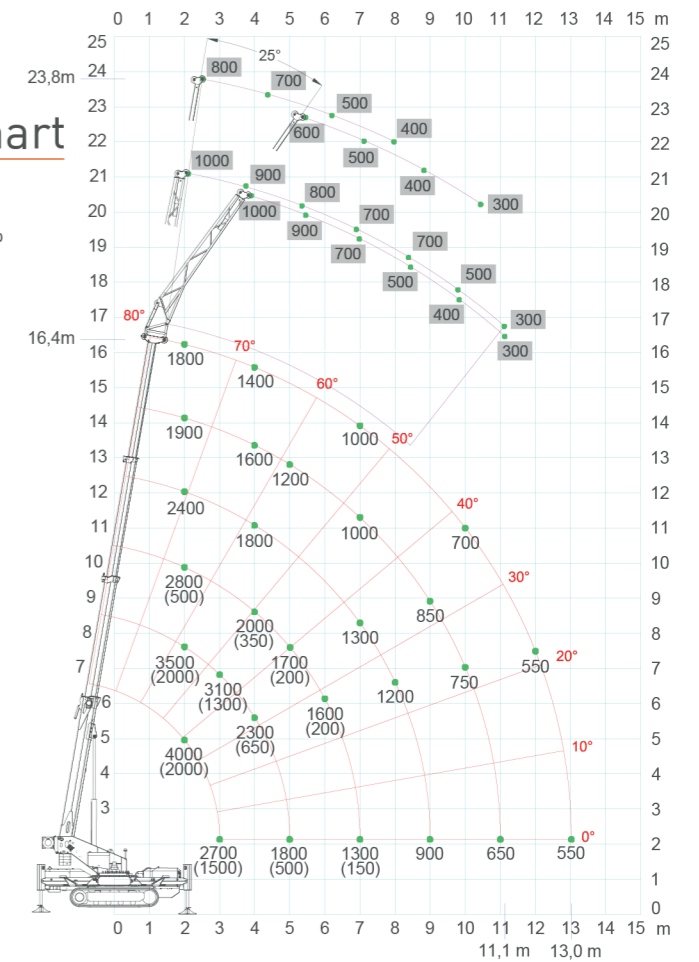
	Main Winch	1000 kg 125 m - Ø 8 mm 50,6-94,6 m/min.
--	------------	---



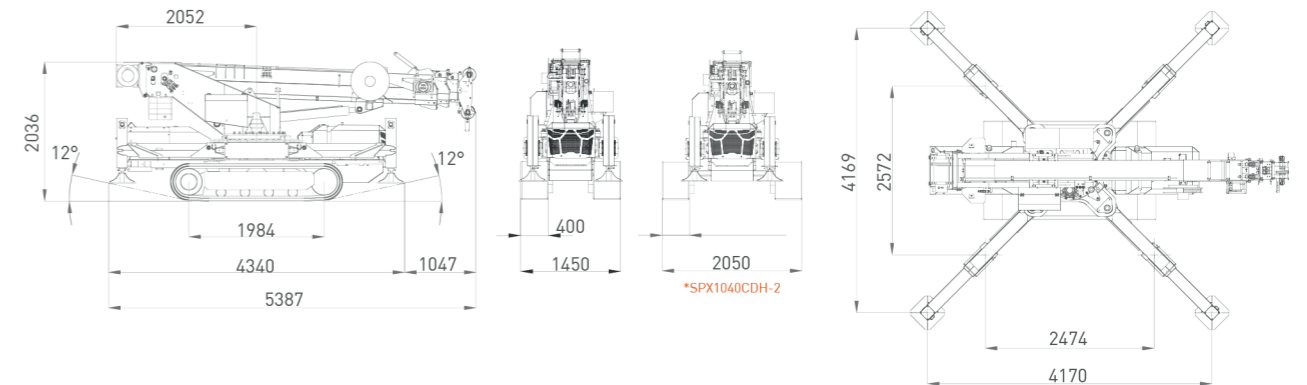
Max. Capacity	Line	Metres
4000 kg	2	-30 m
3000 kg	3	-37 m
2000 kg	2	-52 m
1000 kg	1	-116 m

## Load Chart

000 Capacity with jib  
(000) Pick&Carry



## Dimensions



## Crane Options

HA-SPX1040, VAI, 3.2T-D10, JIB3500G, JIB601.2H, ME01-JIB600.2H, JIB1000.1FL, QC-MR800C, QC-MR800A, JIB300GR, WUK-04, WT-40072.574, 4T-D8, PP400-8D, PP220-8D, PP400-11D.V

**A2B** **BPI** **CCI** **DTC** **EXT** **GSC** **LMI** **P&C** **PPA** **SCI** **TH** **VW** **RCD** **2SW** **2ST**

\*For SPX1040CDH-2 only

## Tools Configurations

JIB3500G	JIB1000.FL	JIB601.2H*	MR800.4-6+4P	JIB300GR
3500 kg	1000 kg	600 kg	800 kg	300 kg
1600 kg @ 17,8 m	800 kg @ 23.8 m	500 kg @ 21.5 m	800 kg @ 18 m	300 kg @ 19,1 m
300 kg @ 14.5 m	300 kg @ 11 m	110 kg @ 13 m	250 kg @ 13 m	300 kg @ 13 m

Based on SPX1040CDH-2

\* Manual extension (stinger) available